

Ballast for fluorescent lamps

Model: **ARC-P 04/23**
Voltage/Frequency 230V / 50Hz
Ordering Code: 004635002 (push-in terminal)
 004635002 (screw terminal)



Main applications: Fluorescent lamps
 Compact and double ended

Img: 230V 50Hz version

Made and design in Spain

Provides: tw130
 High vacuum impregnation in poliester resin (class F).
 Class C copper wire.

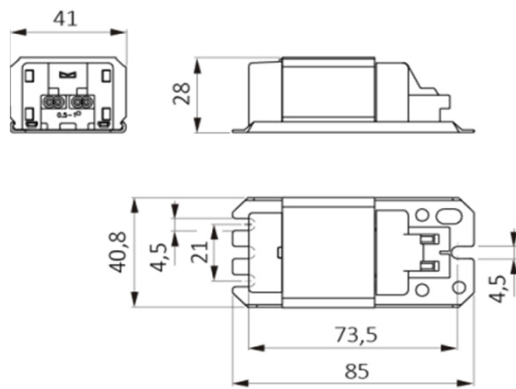


Technical data

W	A	Cap	EEL	Cert.	P.F.	dt	Cp (uF)	Diag	Packing	Kg.
1x4	0,17	G5	B2	1, 2	0,26	55/85	2	1	20	0,3
1x6	0,16	G5	B2	1, 2	0,29	55/85	2	1	20	0,3
1x8	0,145	G5	B2	1, 2	0,32	55/85	2	1	20	0,3
2x4	0,153	G5	B2	1, 2	0,32	55/85	2	2	20	0,3



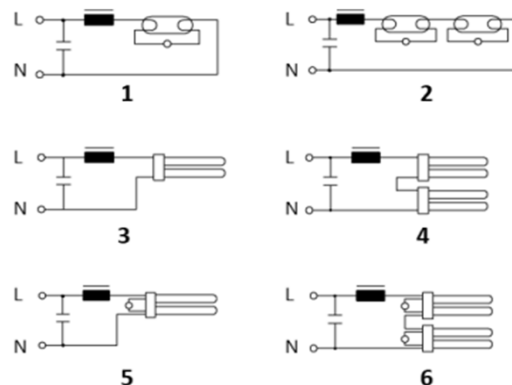
Dimensions



Push-in terminals: 0,5 - 1 mm²

Screw terminals: 0,5 - 2,5 mm²

Diagrams



Standards

EN61347-1	General and Safety requirements
EN61347-2-8	Particular Safety requirements
EN60921	Performance requirements