

Ballast for HID lamps

Lamps:	<i>HI and HM</i>
Wattage:	<i>400W</i>
Voltage/Frequency:	<i>220V / 60Hz</i>
Type:	<i>QM 400 20056</i>

Mounting: *Built-in*

Features: *tw 130*

High vacuum impregnation in poliester resin (class F).

Grade 2, Class C, copper wire.



Img: 230V 50Hz

Made and design in Spain



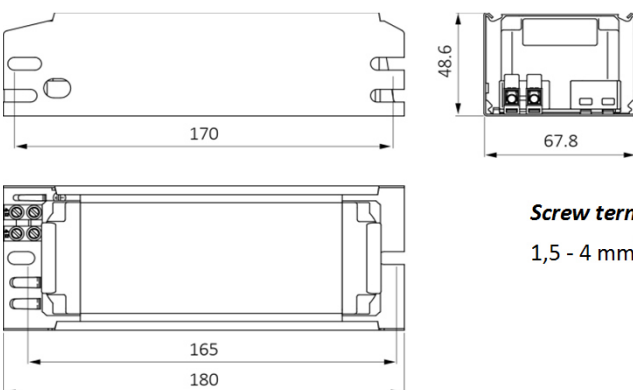
Ordering codes

Code	Model	Cut-out	Diag	Recommended ignitors (HI lamps)
240623000	HIA-HSI 400/22/6-SR	No	1,3,4	IG-051-2 / IG-020
240623100	HIA-HSI 400/22/6-SR/P	Yes	1,3,4	IG-051-2 / IG-020

Technical data

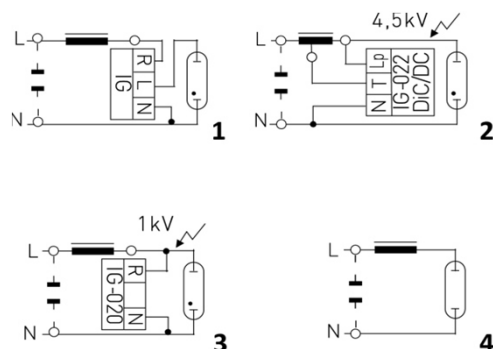
W	A	Lamp	P.F.	DT	Cp(uF)	Cert.	EEl	kg	pc,s/box
400	3,4	HI	0,54	70	30	1, 2, 3	A2	2,85	4
400	3,25	HM	0,6	65	25	1, 2, 3	A2		

Dimensions



Screw terminals:
1,5 - 4 mm²

Diagrams



Standards

EN61347-1	General and Safety requirements
EN61347-2-8	Particular Safety requirements
EN60921	Performance requirements