

Ballast for HID lamps

Lamps:	<i>HS and HI</i>
Wattage:	<i>70W</i>
Voltage/Frequency:	<i>230V / 50Hz</i>
Type:	<i>SME 150 15201</i>

Mounting: *Built-in*

Features: *tw 130*

High vacuum impregnation in poliester resin (class F).

Encapsulated in polyurethan resin.

Grade 2, Class C, copper wire.



Made and design in Spain

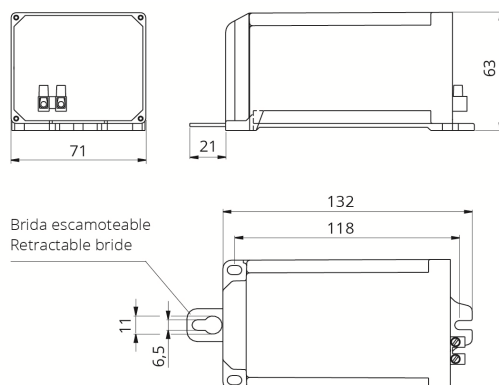
Ordering codes

Code	Model	Cut-out	Diag	Recommended ignitors
415230600	HSE-SAPE 150/23	No	1,4	IG-051-2
415230700	HSE-SAPE 150/23-P	Yes	1,4	IG-051-2
315230600	SAPE-HSE 150/23	No	1,2,4	IG-051-2 / IG-022DiC(DC)
315230700	SAPE-HSE 150/23-P	Yes	1,2,4	IG-051-2 / IG-022DiC(DC)

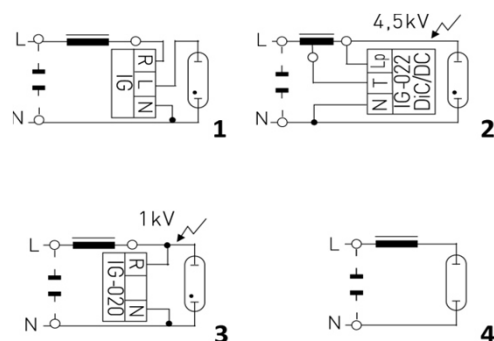
Technical data

W	A	Lamp	P.F.	DT	Cp(µF)	Cert.	EEL	kg	pc,s/box
150	1,8	HI, HS	0,41	75	20	ENEC	A3	2,18	6

Dimensions



Diagrams



Screw terminals:

1,5 - 4 mm²

Standards

EN61347-1	General and Safety requirements
EN61347-2-8	Particular Safety requirements
EN60921	Performance requirements